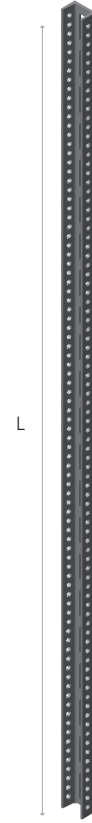


NPU Profil

NPU Profile Профиль NPU

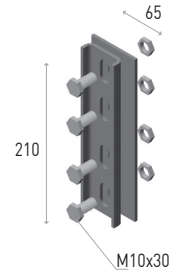
Sipariş Kodu Order Code Код заказа	Uzunluk Length Длина (mm)	Ağırlık* Weight вес (Kg/unit)	Ağırlık** Weight вес (Kg/unit)
KNPU-65-200	200	1.228	1.328
KNPU-65-300	300	1.918	2.062
KNPU-65-400	400	2.532	2.721
KNPU-65-500	500	3.146	3.380
KNPU-65-600	600	3.760	4.039
KNPU-65-700	700	4.374	4.698
KNPU-65-800	800	4.988	5.356
KNPU-65-900	900	5.602	6.015
KNPU-65-1000	1000	6.216	6.674
KNPU-65-1100	1100	6.830	7.333
KNPU-65-1200	1200	7.444	7.992
KNPU-65-1300	1300	8.059	8.651
KNPU-65-1400	1400	8.673	9.310
KNPU-65-1500	1500	9.287	9.969
KNPU-65-1600	1600	9.901	10.628
KNPU-65-1700	1700	10.515	11.287
KNPU-65-1800	1800	11.129	11.945
KNPU-65-1900	1900	11.743	12.604
KNPU-65-2000	2000	12.357	13.263
KNPU-65-3000	3000	18.497	19.851
KNPU-65-4000	4000	24.638	26.440
KNPU-65-5000	5000	30.778	33.028
KNPU-65-6000	6000	39.918	39.616



NPU Ek Elemanı

NPU Connection Part
Соединительный элемент NPU

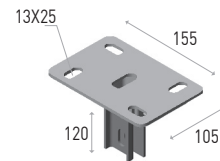
Sipariş Kodu Order Code Код заказа	Kalınlık Thickness Толщина (mm)	Ağırlık* Weight вес (Kg/set)	Ağırlık** Weight вес (Kg/set)
KNPU-65-E1	4.00	0.899	0.981



NPU Tavan Tespit Elemanı

NPU Ceiling Fixing Part
Потолочный крепежный элемент NPU

Sipariş Kodu Order Code Код заказа	Kalınlık Thickness Толщина (mm)	Ağırlık* Weight вес (Kg/unit)	Ağırlık** Weight вес (Kg/unit)
KNPUTT	4.00	1.226	1.302

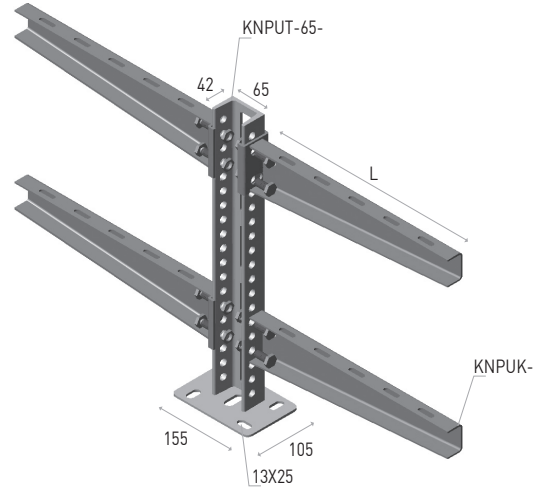


Ağırlık* Pregalvaniz ürünlerin, birim ağırlığıdır. Ağırlık** Sıcak Daldırma Galvaniz kaplamalı ürünlerin, birim ağırlığıdır.
Weight* This weight is unit weight of Pregalvanized products. Weight** This weight is unit weight of Hot-dip galvanization coated products.
Вес* Вес единицы предварительной оцинкованных изделий. Вес** Вес единицы оцинкованных изделий горячим погружением.

NPU Profil Tavan Desteği

NPU Profile Ceiling Support
Потолочное крепление профиля NPU

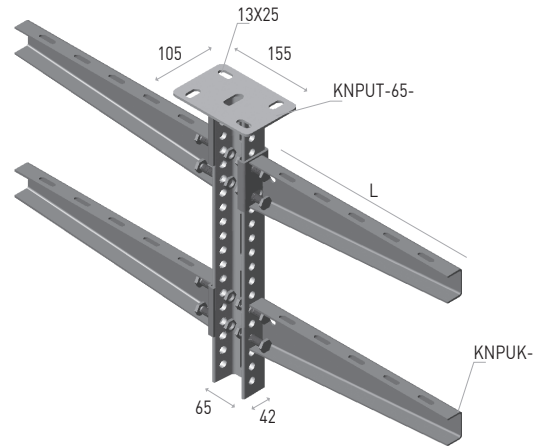
Sipariş Kodu Order Code Код заказа	Uzunluk Length Длина (mm)	Ağırlık* Weight вес (Kg/unit)	Ağırlık** Weight вес (Kg/unit)
KNPUT-65-200	200	1.686	1.805
KNPUT-65-300	300	2.376	2.539
KNPUT-65-400	400	2.990	3.198
KNPUT-65-500	500	3.604	3.857
KNPUT-65-600	600	4.218	4.516
KNPUT-65-700	700	4.832	5.175
KNPUT-65-800	800	5.446	5.833
KNPUT-65-900	900	6.060	6.492
KNPUT-65-1000	1000	6.674	7.151
KNPUT-65-1100	1100	7.288	7.810
KNPUT-65-1200	1200	7.902	8.469
KNPUT-65-1300	1300	8.517	9.128
KNPUT-65-1400	1400	9.131	9.787
KNPUT-65-1500	1500	9.745	10.446
KNPUT-65-1600	1600	10.359	11.105
KNPUT-65-1700	1700	10.973	11.764
KNPUT-65-1800	1800	11.587	12.422
KNPUT-65-1900	1900	12.201	13.081
KNPUT-65-2000	2000	12.815	13.740
KNPUT-65-3000	3000	18.955	20.328
KNPUT-65-4000	4000	25.096	26.917
KNPUT-65-5000	5000	31.236	33.505
KNPUT-65-6000	6000	37.376	40.093



NPU Konsollar

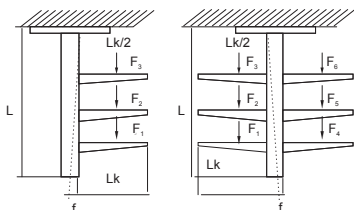
NPU Brackets
Консоль NPU

Sipariş Kodu Order Code Код заказа	Uzunluk Length Длина (mm)	H (mm)	Kalınlık Thickness Толщина (mm)	Ağırlık* Weight вес (Kg/unit)	Ağırlık** Weight вес (Kg/unit)
KNPUK-070-300	80	80	3.0	0.398	0.417
KNPUK-100-300	110	80	3.0	0.475	0.498
KNPUK-120-300	130	80	3.0	0.527	0.552
KNPUK-160-300	170	80	3.0	0.625	0.655
KNPUK-200-300	210	80	3.0	0.722	0.758
KNPUK-250-300	260	80	3.0	0.872	0.916
KNPUK-300-300	310	80	3.0	0.975	1.024
KNPUK-400-300	410	80	3.0	1.222	1.284
KNPUK-500-300	510	80	3.0	1.475	1.550
KNPUK-600-300	610	80	3.0	1.723	1.812



Statik Değerler

Statics Values
Статические данные



Ağırlık* Pregalvaniz ürünlerin, birim ağırlığıdır. Ağırlık** Sıcak Daldırma Galvaniz kaplamalı ürünlerin, birim ağırlığıdır.
Weight* This weight is unit weight of Pregalvanized products. Weight** This weight is unit weight of Hot-dip galvanization coated products.
Bec* Вес единицы предварительной оцинкованных изделий. Bec** Вес единицы оцинкованных изделий горячим погружением.